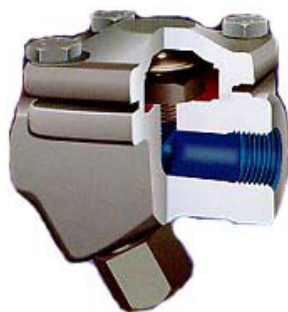
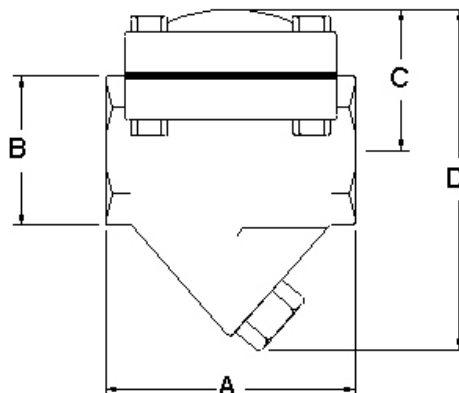


THERMOSTATIC STEAM TRAPS

Balanced Pressure Design - CT300Y Series



Model CT300YS – Threaded Connections
Model CT300YW – Socket Weld Connections



FEATURES

- Compact “Y” pattern forged steel body.
- Thermostatic capsule immediately responds to changes in pressure and temperature
- Can be installed in any position. Vertical installation ensures the unit to be freeze-proof when discharging to a gravity return or atmosphere.
- Integral strainer. “Y” pattern design allows for in-line replacing or cleaning of screen
- In-line replaceable thermostatic capsule and seat

RATINGS

PMO: (maximum operating pressure): 300 psi
PMA: (maximum allowable pressure): 465 psig
TMA: (maximum operating temperature): 450°F

MATERIALS

Part	Description
Body	Forged Steel ASTM A105
Cover	Forged Steel ASTM A105
Strainer	Stainless Steel
Thermostatic Capsule	Hastelloy and Stainless Steel
Seat	Stainless Steel
Cover Bolts	ASTM A193
Non-Return Valve	Stainless Steel

Optional high and low temperature thermostatic capsules are available upon request.

DIMENSIONS AND WEIGHTS

Size		A		B		C		D		Weight	
mm	in	mm	in	mm	in	mm	in	mm	in	kg	lbs
15	1/2	95	3-3/4	40	1-1/2	45	1-3/4	97	3-4/5	1.7	3-3/4
20	3/4	95	3-3/4	40	1-1/2	45	1-3/4	97	3-4/5	1.7	3-3/4
25	1	95	3-3/4	40	1-1/2	45	1-3/4	97	3-4/5	1.7	3-3/4

CAPACITIES IN POUNDS & KILOGRAMS PER HOUR OF CONDENSATE AT 20°F BELOW SATURATION

Size		35	5	69	10	138	20	345	50	690	100	1379	200	2069	300
mm	in	kpa	psi	kpa	psi	kpa	psi	kpa	psi	kpa	psi	kpa	psi	kpa	psi
15, 20, 25	1/2, 3/4, 1	320	705	425	935	550	1210	700	1540	815	1795	905	1995	955	2105

Colton has a policy of continuous product research and improvement and reserves the right to change design and specifications without notice.

